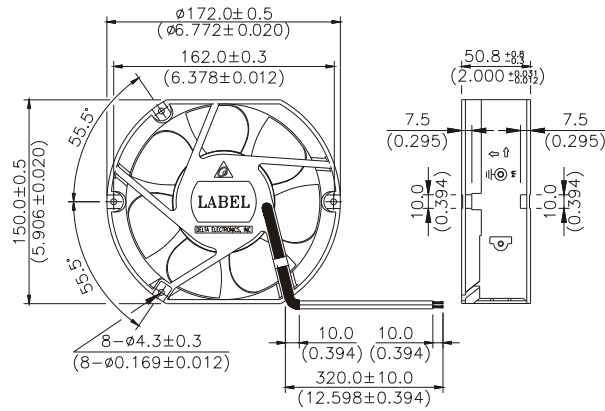


*New*



# AHB 172 x 150 x 50.8 MM SERIES

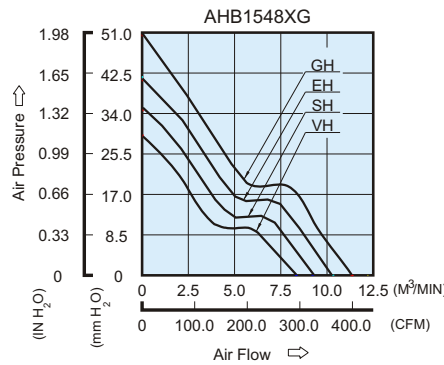
## ■ DIMENSIONS DRAWING



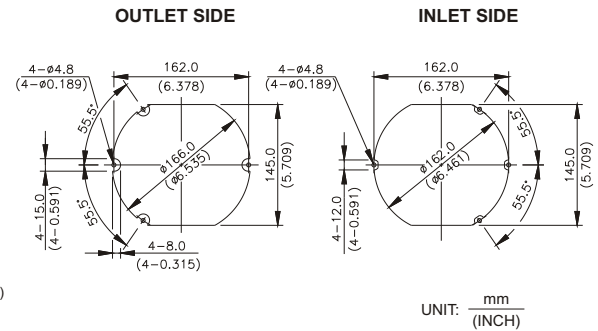
UNIT:  $\frac{\text{mm}}{\text{(INCH)}}$

- \* Bearing Type  
Ball Bearings
- \* Material  
Impeller : Plastic (UL 94V-0)  
Frame : Die-cast Aluminum
- \* Lead Wires :  
UL 1007 AWG #24 OR Equivalent  
Red Wire Positive (+)  
Black Wire Negative (-)
- \* Weight : 800g (28.22 oz)

## ■ P & Q CURVE (AT RATED VOLTAGE)



## ■ MOUNTING PANEL CUTOUT



UNIT:  $\frac{\text{mm}}{\text{(INCH)}}$

MODEL		Rated Voltage	Operating Voltage Range	Rated Current	Rated Input Power	Speed	Maximum Air Flow		Maximum Air Pressure		Noise
PART NO.	FUNCTION	VDC	VDC	Amp	Watt	R.P.M.	m <sup>3</sup> /min	CFM	mmH <sub>2</sub> O	IN H <sub>2</sub> O	dB-A
AHB1548VHG	-R00 / -F00	48	32.0 to 80.0	0.71	34.08	4000	8.645	305.29	28.91	1.138	62.0
AHB1548SHG	-R00 / -F00	48	32.0 to 80.0	0.88	42.24	4400	9.526	336.41	34.69	1.366	64.0
AHB1548EHG	-R00 / -F00	48	32.0 to 80.0	1.22	58.56	4800	10.434	368.47	41.43	1.631	66.0
AHB1548GHG	-R00 / -F00	48	32.0 to 80.0	1.52	72.96	5200	11.404	402.72	49.88	1.964	68.5

\* Function type is optional.  
 \* The max. air flow and the speed are measured in free air ; max. air pressure is measured at zero air flow.  
 \* Noise is measured in anechoic chamber in free air, one meter from intake side.  
 \* All readings are typical values at rated voltage.  
 \* Specifications are subject to change without notice.